



SE 1613

TCIC BSIII



Higher fuel efficiency



More power



Faster trips



Higher revenues

SPECIFICATIONS

SE 1613 697 TCIC BS III

ENGINE	: 697 TC 69 BSIII
Type	: Water cooled, Direct Injection, Turbo charged, Intercooled Diesel Engine
Bore x Stroke	: 97mm x 128mm
Max. Engine Output	: 102kw @ 2400rpm (137 Hp)
Max. Torque	: 490 Nm @ 1400 - 1800 rpm
Displacement	: 5675 cc
Air cleaner type	: Dry Type Remote Mounted
Fuel Pump	: Rotary Electronic

CLUTCH : Single Plate Dry Friction Type

GEAR BOX	: GBS-600
First gear ratio	: 6.58
Type	: Synchromesh on all forward and constant mesh on reverse gear
No. of gears	: 6 forward, 1 reverse

FRONT AXLE : Heavy duty Forged I beam, Reverse Elliot type

REAR AXLE	: RA-109RR; Single reduction hypoid gears, fully floating axle shafts
Rear axle Ratio	: 5.86:1

STEERING : Hydraulic assisted power steering

FRAME : Ladder type, Heavy duty frame with riveted/ bolted cross member
Depth-223mm, Width-60mm, Thickness-7mm

SUSPENSION : Semi Elliptical Leaf spring at front and rear. Parabolic leaf spring at the front (Optional)
Shock Absorbers : Hydraulic double acting telescopic type at front only

BRAKES
Service Brakes : Fully duplicated, Full Air S-Cam Brakes
Parking Brake : Hand operated, Spring Actuated Parking Brake Acting on Rear Wheels
Engine Exhaust brakes : Pneumatically operated interlinked with Service Brake

WHEELS & TYRES : 10R 20 - 16 PR
Wheel rims : 7.50 x 20
Number of Tyres : Front-2, Rear-4, Spare-1

FUEL TANK : 225 litres

CAB/COWL : All steel, Semi Forward Control Driver's cab/cowl

ELECTRICAL SYSTEM : System voltage 24 V
Battery rating - 2 x 12 V, 120 Ah Capacity

PERFORMANCE
Max. climbing ability : 21.0%
Max geared speed in top : 102 kmph gear(With std. rear axle)
Turning circle dia mm : 16700
Clearance cricle dia mm : 18000

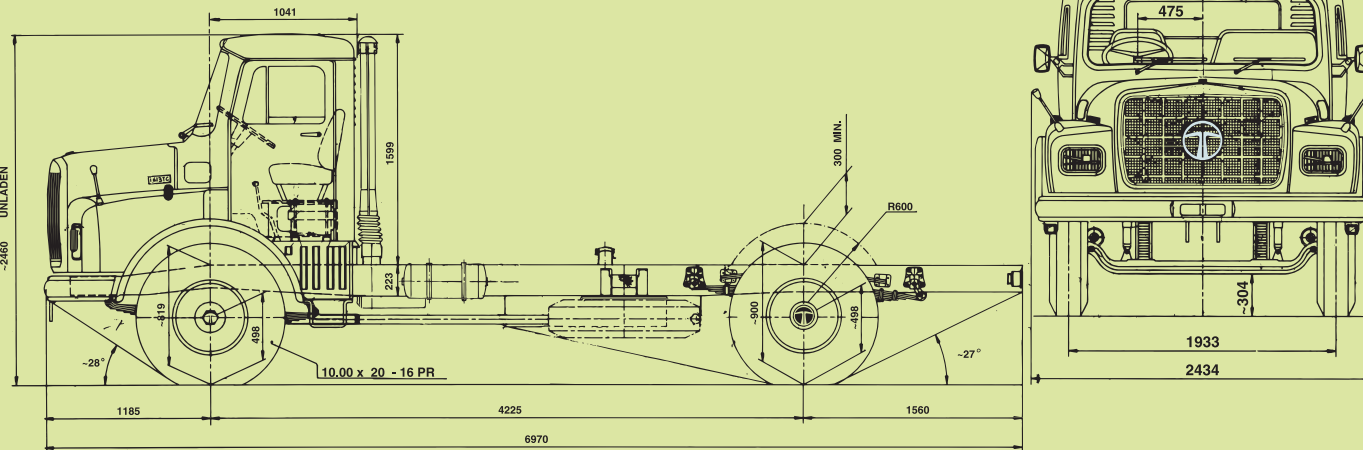
DIMENSION (mm)
Wheelbase : 4225
Min Ground clearance : 259

WEIGHTS (kg)
Bare chassis kerb Weight : 4850 with cab as per IS 9211
Bare chassis kerb Weight : 4720 with cowl as per IS 9211
Max. Permissible GVW : 16200
Max. Permissible FAW : 6000
Max. Permissible RAW : 10200

CAUTION: Do not weld on chassis frame. Accessories shown in the picture or elsewhere may not constitute standard fitment.

The Specifications are subjected to change without notice. These are indicative specification for reference only.

For optimum performance the vehicle should be operated at rated GVW only.



TATA MOTORS LIMITED

For more information, please visit our website: www.tatamotors.com. You can also contact our Sales Office: 20th Floor, Tower 2, One Indiabulls Centers, 841 Senapati Bapat Marg, Mumbai 400 013. Tel: 91 22 66586000. Fax: 91 22 66586010
CUSTOMER ASSISTANCE CENTRE TOLL FREE.: 18002097979

CAUTION: Accessories shown in the picture or elsewhere do not constitute standard fitment. The specifications are merely indicative. Due to continuous product improvements, these specifications are liable to change without notice.